

USER GUIDE

9449

HARDWIRED CONTROL PANEL



Scantronic

Leading the way in security



Interrupted Exit Tone Zone (x) ●



Investigate cause and restart setting sequence

Enter via designated route Go to control panel



TO FULL SET

Key-in your four digit user code (shown as ???? at left). The exit tone starts. Leave premises via the designated exit door. Exit tone stops after preset time (or within seven seconds of pressing the exit terminate button). Your alarm system is **SET**.

TO PART SET

Your alarm system may have been installed to allow you to have part of the premises set while other area(s) are off. To part set the system key in 2 then ENTER, followed by your user code. Note that the part set exit tone is usually a buzzer sound, but your system may be programmed to silent set.

Note: If you enter your user code incorrectly four times in a row then the system will raise a tamper alarm. See opposite.

IF A ZONE LIGHT GLOWS WHILE SETTING

If, during setting, the sounder gives an interrupted tone and a zone light glows, then a detector is being triggered (maybe a door or window is open).

Key in your user code to stop the tone.

Check the indicated zone(s) and if possible correct the cause of the alarm. Try setting the system again. If the fault persists, call your alarm installer. Note that it may be normal for certain zone lights to glow as you walk past detectors on the way out of your premises.

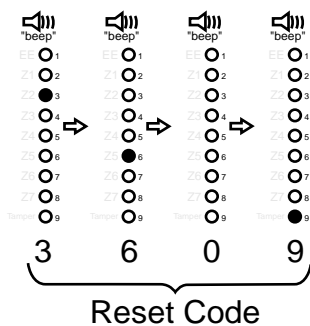
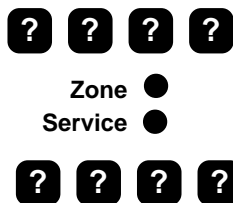
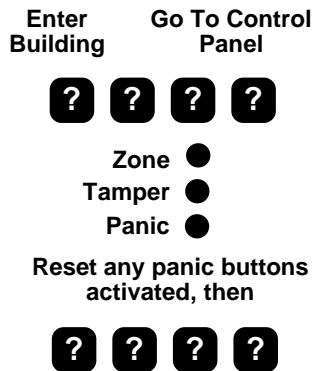
If the Entry/Exit light glows, the exit door may be open. Leave the premises and close the door. The interrupted tone should change to a steady tone when the door is closed and the system then sets as normal.

TO UNSET

Full Set: Enter by the designated entry door. Entry tone starts. Go to control panel. Key-in your user code. System is **OFF**.

Part Set: Entry tone starts. Go to control panel. Key-in your user code. System is **OFF**.

Note: The system has a preset entry time to allow you to get to the panel. If you find that you do not have enough time to reach the control panel, ask your Installer to increase the entry time.



AFTER AN ALARM

Fire Alarm: The system gives a fire alarm by sounding a warbling tone from the internal sounder.

1. Evacuate the premises and call the Fire Brigade. Do not attempt to unset the alarm.
2. When the premises are safe, follow the instructions below.

To switch the bells off: Key-in your user code. The sounders will stop and the zone light(s) for the detectors that triggered the alarm will glow.

Tamper or Panic Alarm: If you hear the internal sounder when the system is off then look at the control panel:

If the **Tamper** light glows then key-in your user code to stop the sounder. Call your alarm installer for service.

If the tamper light is off see if a **PA zone** light is glowing. Deal with the cause of the alarm first. Next, reset the panic button, then switch the alarm system bells off and reset the system (see below).

Reset system: You must reset the system before it can be used again. If the Service LED is OFF then you can reset the system yourself. Key-in your access code again. All the zone lights should go off. The system is now ready for use.

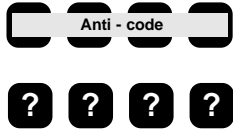
If the Service LED is ON, you must call for an engineer to reset the system.

Remote Reset: If your alarm is connected to a central station then the system may use remote reset (ask your Installer). With this method the keypad displays a special four digit code. Report this code to the central station, who then give you another code to let you to reset the system. Have a pencil and paper ready to note down the code.

1. Key in your user code to silence the bells.
2. Key in your user code again.

The display shows the zone and Service LEDs ON. The display shows a four digit code by lighting the zone lamps one at a time. The small numbers to the **right** of the lamps give the digits. The keypad sounder gives a short tone each time the digit changes. (If there is no light glowing then the digit is "zero".)

3. Note down the code. If necessary, press Enter to make the keypad repeat the code.
4. Report the code to the central station.



The central station will give you a new four digit code, the “anti-code”, note it down.
 5. Enter the code given by the central station. The Service light goes out.
 6. Key in your user code. The system is now ready for use.



TO CHANGE YOUR USER CODE

Your system provides two separate four digit user codes. When the system is new, the user codes are “1234” and “0000”. Change the “1234” user code immediately to a number that only you know. The new code can be **ANY** four digit code you choose. The “0000” user code is inactive and will not operate the system. To activate the second user code change the “0000” to another four digit number. Do not use the same number for both user codes. To inactivate the second user code again, change it back to “0000”.

Duress Code: Your system provides a Duress Code. When the system is new the code is inactive, and set to “****”. To activate the code change it to a number you can remember, using the same method as changing the access codes. Do not use “9999” or the same number as your other access codes. To inactivate the duress code change it back to “****”. If your system is connected to a central station, then it will send a silent signal when you unset your system using the duress code.

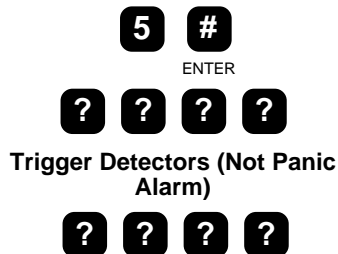
TO TEST BELLS

Make sure system is unset before starting the test. Key in 4 then ENTER followed by your user code. The internal sounders will operate for three seconds and then the external sounder and strobe will operate for 10 seconds.



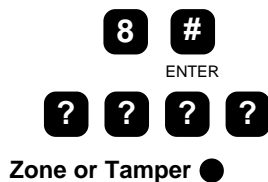
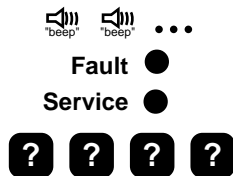
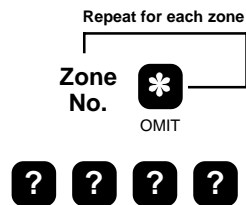
TO WALK TEST

Key in 5 then ENTER, followed by your user code. The internal sounder gives a steady tone. Open and close the Exit/Entry zone and Zones 1 to 7. Each time you open a zone, the zone light flashes and the internal sounder gives a pulsing tone.



You cannot test the 'Tamper Circuits', fire alarms, 24 Hour zones or panic buttons without causing an alarm.

To stop a walk test, key-in your access code.



TO OMIT A DETECTOR

You may need to temporarily set the system with one or more detectors omitted. Key in the zone number followed by OMIT for all the zones you want to omit and then key in your user code. The system flashes the light(s) of the omitted zone(s) during the exit time and then sets. Note that you cannot omit a panic button, nor can you omit a 24 hour zone while the system is unset.

The system will not raise an alarm if any omitted detector is triggered during this setting cycle. The system will reinstate the detector(s) and set normally the next time you set the system.

TO SWITCH CHIME ON OR OFF

Key in 7 then ENTER, followed by your user code to switch Chime on or off. When Chime is on, the internal sounder chimes when the chime zones operate. Note that the Installer must program your chime zones.

TELEPHONE LINE FAILURE

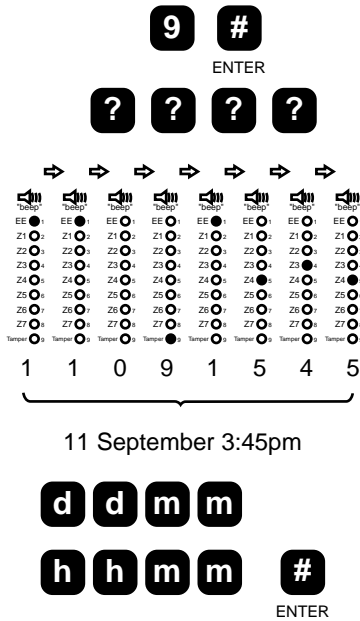
If you see the Fault and Service LEDs flashing, and a short tone every few seconds then the system has detected a fault on the telephone line connecting the system to the central station. Key in your user code to stop the tone. The Fault and Service LEDs will continue to flash until the telephone line fault is corrected.

DISPLAYING THE LAST 10 EVENTS

You can display the ten most recent alarms and tampers stored in the system's log. Key in 8 plus ENTER followed by your user code. The display shows the most recent zone to cause an alarm, or lights the Tamper LED. Key in 1 to show earlier events or 3 to see more recent events. The display shows earlier and later alarms/tampers. The keypads give a short tone when you reach the end of the log. Press OMIT or ENTER to leave the log.

KEYPAD PA

You can start a Panic Alarm by pressing keys 1 and 3 together on the keypad.



SETTING THE INTERNAL CLOCK

The system has an internal clock. If you have a log printer, the log shows events occurring at the correct time. (The Installer may have already set the clock for you.) If you need to change the time and date:

Make sure the system is unset.

Key in 9 plus ENTER followed by your user code.

The keypad displays the digits of the date and time one by one on the zone and tamper LEDs. The keypad sounder beeps each time the system shows a new digit. The EE zone LED represents "1" and the Tamper LED represents "9". If all LEDs are off when the keypad beeps then the digit "0" (zero). When the keypad has completed showing the date and time, the zone and tamper LEDs go out, and the system waits for you to enter the new date and time.

EITHER press ENTER to leave the time as it is OR:

Key in the day, month, hours and minutes in numerical format, and then press ENTER.

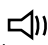
For example, to change the date and time to 8 August, 1:30 pm, key in "08 08 13 30 ENTER".



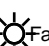

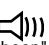

The keypad gives a double beep to show it has accepted the new date and time.

FAULT FINDING

The diagrams below and on the opposite page shows the meaning of some of the displays you may see on your keypad.

 Flashing
 On
 Off
  sounder

EE <input type="radio"/> 1 <input checked="" type="radio"/> Power	EE <input type="radio"/> 1 <input checked="" type="radio"/> Power	EE <input type="radio"/> 1 <input checked="" type="radio"/> Power	EE <input type="radio"/> 1 <input checked="" type="radio"/> Power
Z1 <input checked="" type="radio"/> 2	Z1 <input checked="" type="radio"/> 2	Z1 <input type="radio"/> 2	Z1 <input type="radio"/> 2
Z2 <input type="radio"/> 3 <input type="radio"/> Fault	Z2 <input type="radio"/> 3 <input type="radio"/> Fault	Z2 <input checked="" type="radio"/> 3 <input checked="" type="radio"/> Fault	Z2 <input type="radio"/> 3 <input checked="" type="radio"/> Fault
Z3 <input type="radio"/> 4	Z3 <input type="radio"/> 4	Z3 <input type="radio"/> 4	Z3 <input type="radio"/> 4
Z4 <input type="radio"/> 5 <input type="radio"/> Service	Z4 <input type="radio"/> 5 <input checked="" type="radio"/> Service	Z4 <input type="radio"/> 5 <input type="radio"/> Service	Z4 <input type="radio"/> 5 <input type="radio"/> Service
Z5 <input type="radio"/> 6	Z5 <input type="radio"/> 6	Z5 <input type="radio"/> 6	Z5 <input type="radio"/> 6
Z6 <input type="radio"/> 7	Z6 <input type="radio"/> 7	Z6 <input type="radio"/> 7	Z6 <input type="radio"/> 7
Z7 <input type="radio"/> 8	Z7 <input type="radio"/> 8	Z7 <input type="radio"/> 8	Z7 <input checked="" type="radio"/> 8 
Tamper <input type="radio"/> 9	Tamper <input type="radio"/> 9	Tamper <input type="radio"/> 9	Tamper <input type="radio"/> 9 "dee - dah"
Alarm (zone 1). Customer reset required.	Alarm (zone 1). Call engineer.	24Hr, Technical or PA zone active. Reset PA switch if necessary .	Fire (zone 7). Leave premises until you are sure it is safe to return.

EE <input type="radio"/> 1 <input checked="" type="radio"/> Power	EE <input type="radio"/> 1  Power	EE <input type="radio"/> 1  Power	EE <input type="radio"/> 1 <input checked="" type="radio"/> Power
Z1 <input type="radio"/> 2	Z1 <input type="radio"/> 2	Z1 <input type="radio"/> 2	Z1 <input type="radio"/> 2
Z2 <input type="radio"/> 3  Fault	Z2 <input type="radio"/> 3 <input type="radio"/> Fault	Z2 <input type="radio"/> 3 <input checked="" type="radio"/> Fault	Z2 <input type="radio"/> 3 <input checked="" type="radio"/> Fault
Z3 <input type="radio"/> 4	Z3 <input type="radio"/> 4	Z3 <input type="radio"/> 4	Z3 <input type="radio"/> 4
Z4 <input type="radio"/> 5  Service	Z4 <input type="radio"/> 5 <input type="radio"/> Service	Z4 <input type="radio"/> 5 <input type="radio"/> Service	Z4 <input type="radio"/> 5 <input checked="" type="radio"/> Service
Z5 <input type="radio"/> 6	Z5 <input type="radio"/> 6	Z5 <input type="radio"/> 6	Z5 <input type="radio"/> 6
Z6 <input type="radio"/> 7	Z6 <input type="radio"/> 7	Z6 <input type="radio"/> 7	Z6 <input type="radio"/> 7
Z7 <input type="radio"/> 8  "beep"	Z7 <input type="radio"/> 8	Z7 <input type="radio"/> 8  "beep"	Z7 <input type="radio"/> 8
Tamper <input type="radio"/> 9	Tamper <input type="radio"/> 9	Tamper <input type="radio"/> 9	Tamper <input checked="" type="radio"/> 9
Telephone line fault ("beep" every 5s if enabled). Enter access code to silence "beep".	Mains fail.	Battery low - no mains. "beep" every 5s. Call engineer.	Tamper (lid, remote keypad, sounder, global tamper).Call engineer.

EE <input type="radio"/> 1 <input checked="" type="radio"/> Power	EE <input type="radio"/> 1 <input checked="" type="radio"/> Power
Z1 <input type="radio"/> 2	Z1 <input type="radio"/> 2
Z2 <input type="radio"/> 3 <input checked="" type="radio"/> Fault	Z2 <input type="radio"/> 3 <input type="radio"/> Fault
Z3 <input type="radio"/> 4	Z3 <input type="radio"/> 4
Z4 <input type="radio"/> 5 <input type="radio"/> Service	Z4 <input type="radio"/> 5 <input type="radio"/> Service
Z5 <input type="radio"/> 6	Z5 <input type="radio"/> 6
Z6 <input type="radio"/> 7	Z6 <input type="radio"/> 7
Z7 <input type="radio"/> 8	Z7 <input type="radio"/> 8
Tamper <input checked="" type="radio"/> 9	Tamper <input checked="" type="radio"/> 9
A tamper has activated and is still in fault. Call engineer.	A tamper has activated but is now clear. Call engineer

Zone Descriptions

Entry Exit Zone:	Entry Time:	Exit Time:
Zone 1:		
Zone 2:		
Zone 3:		
Zone 4:		
Zone 5:		
Zone 6:		
Zone 7:		
Installer Name:		
Day Tel:		
Night Tel:		

© Scantronic Ltd. 1997

Every effort has been made to ensure that the contents of this book are correct, errors and omissions excepted. However, neither the authors nor Scantronic accept any liability for loss or damage caused or alleged to be caused directly or indirectly by this book. The contents of this book are subject to change without notice.

Printed and published in the U.K.